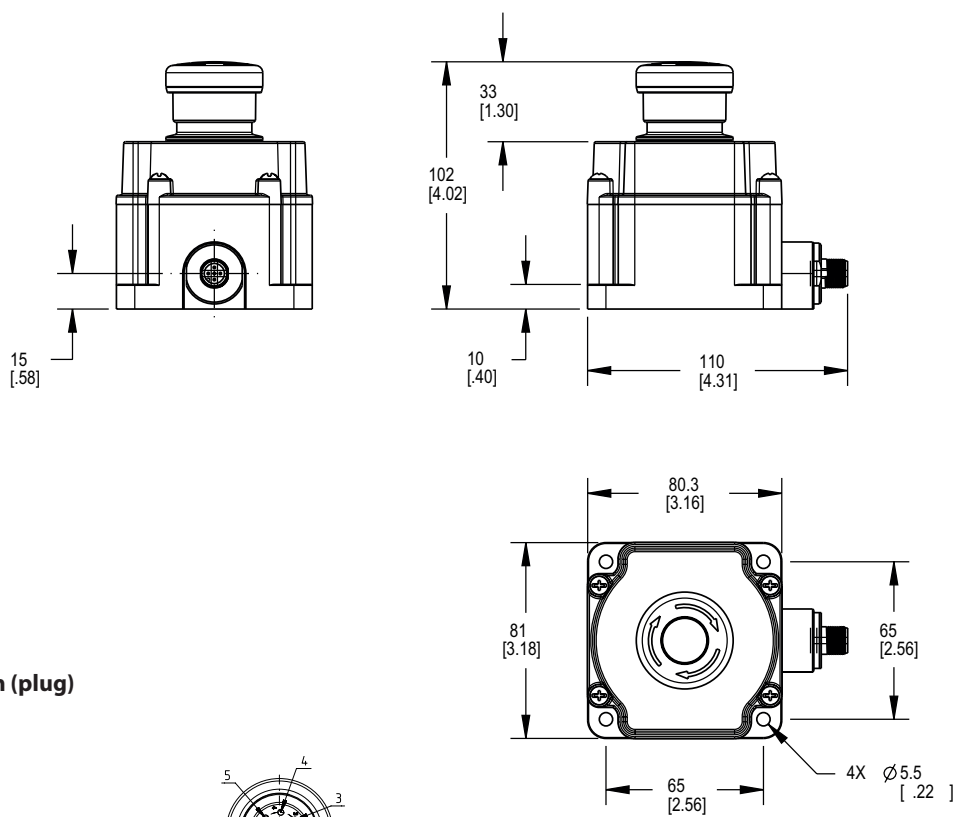


**Emergency stop**  
Series SEU

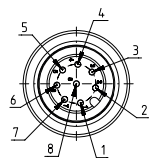
Description **SEU-3/3/1-P81-C**

Article number **6075689176**



**Connection (plug)**

- Pin1: +
- Pin2: Q1
- Pin3: -
- Pin4: Q2
- Pin5: I1
- Pin6: I2
- Pin7: n.c.
- Pin8: Local reset




Electrical Data		
Rated operating voltage	$U_e$	24 V, Reverse polarity protection, +15 %, - 20 % (PELV / SELV power supply unit)
Rated insulation voltage	$U_i$	75 V DC
Rated impulse withstand voltage	$U_{imp}$	500 V
Rated conditional short circuit current		100 A
No-load current	$I_o$	100 mA at 24 V DC; max. 120 mA at 19,2 V DC
Switch-off	$t_a$	max. 40 ms + (7 ms x number of downstream Smart Safety devices)
Time delay	$t_v$	max. 2 s
Electromagnetic interference		according to EN 61326-1 and EN 61326-3-1
Outputs Q1,Q2		
Voltage level		according to Typ 3 EN 61131-2
Switching element function		pnp NO
Rated operating current	$I_e$	30 mA
Leakage current	$I_r$	≤ 1 mA DC
Switching elements		Sustained short-circuit and overload protection
Voltage drop	$U_d$	≥ $U_e - 3 V$
Type of short circuit protection		thermal / digital (clocking)
Local reset		Yes

Mechanical Data	
Enclosure / push button	Polycarbonate / Polyamide
Latching reset	by turning to the right
Mounting	4 x M5 screws, max. tightening torque: 0.56 Nm
Indication	Operating state: Off Emergency stop state: Red
Shock and Swing	Operating extremes: 10 Hz to 500 Hz, amplitude 0,35 mm acceleration 50 m/s <sup>2</sup>
Ambient temperature	-25°C ... +50°C
Storage temperature	-25°C ... +50°C
Maximum relative humidity	45 % to 85 % relative humidity (no condensation)
Connection	Plug connector M12 male, 8-pole
Type of protection	IP65 (DIN EN 60529)

Safety data		
Up to PL <sup>1)</sup>	e	acc. to EN ISO 13849-1
Category <sup>1)</sup>	4	
PFH <sub>D</sub> <sup>1)</sup>	6,9 x 10 <sup>-9</sup> 1/h	acc. to DIN EN 62061
SIL CL <sup>1)</sup>	3	
Service life	20 years	
B <sub>10D</sub> mechanics	100.000	
<sup>1)</sup> At 1000 actuation cycles during the service life.		

Standards	
	EN 61326-1, EN 61326-3-1
	EN ISO 13849-1, EN 62061
	EN 60947-5-5

EU-Conformity	
	according to directive 2006/42/EG (Safety-of-Machinery-Directive)
	according to directive 2011/65/EU (RoHS II)
	according to directive 2014/30/EU (EMV-Richtlinie)
	according to directive 2012/19/EU (EU-WEEE II) 

Approvals	
	TÜV Rheinland
	cUL <sub>US</sub>

Notes	
The specified protection classification (IP code) applies only when an appropriate plug connector is used.	